

Models

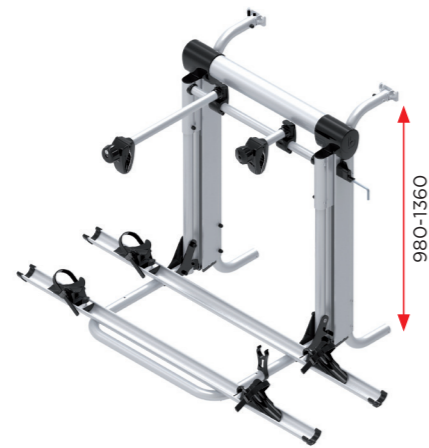
BIKE LIFT STANDARD

Item number BKL-STD



BIKE LIFT STANDARD RAIL

Item number BKL-STD-RAIL

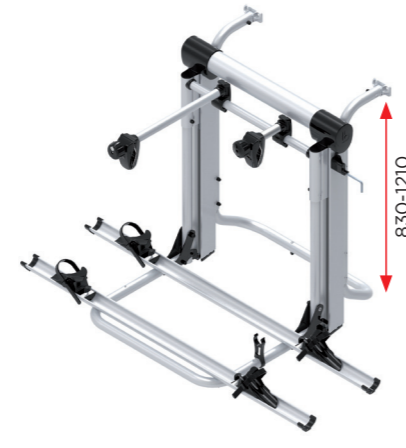


For vehicles equipped with lower mounting rail (rail not included)



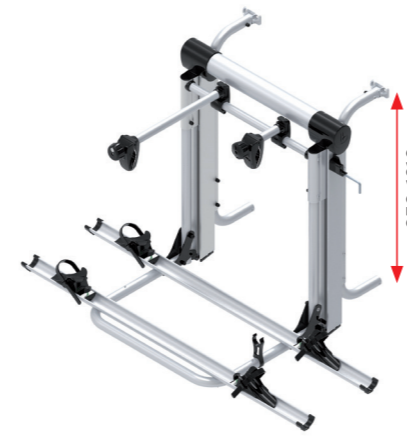
BIKE LIFT SHORT

Item number BKL-SHO



BIKE LIFT SHORT RAIL

Item number BKL-SHO-RAIL

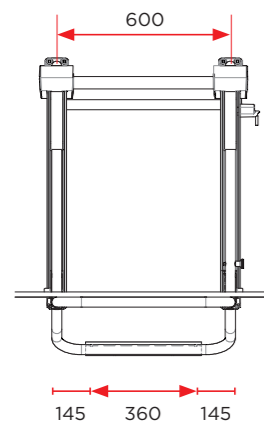


For vehicles equipped with lower mounting rail (rail not included)

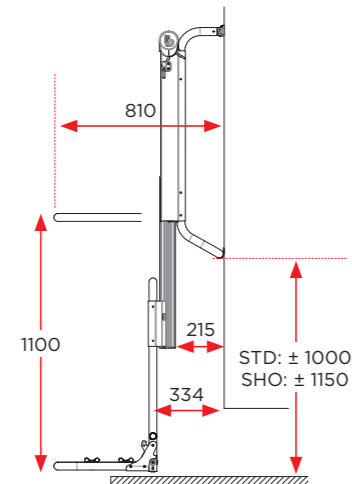


Dimensions

FRONT



SIDE



BR-SYSTEMS

BIKE LIFT SOLUTIONS

Prostor bv - Lourdesstraat 84 - 8940 Geluwe - Belgium
T +32 (0)56 26 56 56 - info@br-systems.com - www.br-systems.com

Prostor bv will not be held responsible for any printing or colour errors.
Content is subject to modifications (technical and prices).

BR-SYSTEMS
BIKE LIFT SOLUTIONS



ELECTRIC BIKE LIFT







EDITION 23
ENGLISH

BIKE LIFT

Get the most out of your mobility and freedom with the electric Bike Lift.

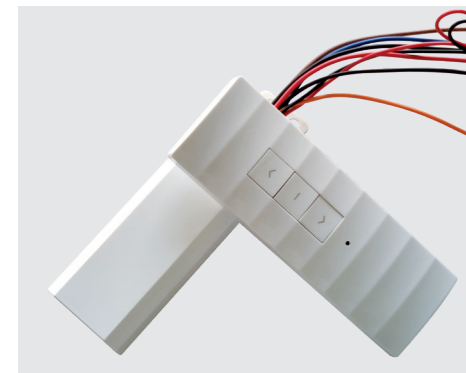
The patented 'Bike Lift' is the smartest and most innovative bike-carrier on the market. Planning to hit the road in your motorhome? Witness the perfect solution for bringing along your bikes and taking them anywhere you want!

-  An **integrated 12V motor** with switch or **remote control** (as option) moves the bikes up and down.
-  The platform of the Bike Lift can bridge a 110cm height distance. The bikes can be **lowered to almost ground level** on most vehicles.
-  No need to lift the bikes yourself. Installing the bikes on the platform is far **more comfortable when they are closer to the ground**.
-  The **maximum load is 60 kg**, making it perfectly suitable for 2 E-bikes or 3 standard bikes.

Accessories

Get the most from your Bike Lift with these useful accessories.

MORE COMFORT



Remote Control
Item number: BKL-ACC-RMC

GREATER PROTECTION



Protection Cover
Item number: BKL-ACC-COV

HIGHER SAFETY



Additional key lock for bike holders
Item number BKL-ACC-KEY

EXTRA BIKE



Kit for 3rd bike
Item number BKL-ACC-KIT

Product video

Curious for more? Scan the QR code to view the product video on your smartphone or go to www.br-systems.com



Characteristics



1 Adjustable mounting points

Allows an installation on different types of vehicles. The Bike Lift can even be mounted on standard fixation points or replace a standard rack.



2 12V Motor

The motor lifts the bikes up without any human effort. You can even adjust to the perfect lowest position of the Bike Lift.



3 Double safety lock

A manual circuit breaker and axle for mechanical locking prevents unwanted lowering of the Bike Lift while driving the vehicle.



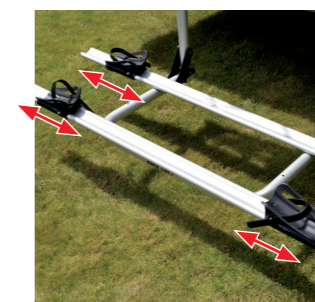
4 Smart platform lock

The sturdy smart platform locking system prevents that the platform jumps up during driving.



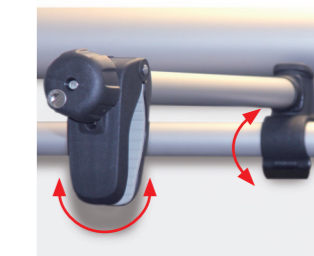
5 Platform holder

The platform can be folded easily and securely to ensure optimal and safe driving or when the Bike Lift is not in use.



6 Adjustable wheel holders

Choose the position of the wheel holders and fasten the bikes securely with the integrated wheel straps.



7 Adaptable bike holder

The bike holders are adjustable to every bike frame. They are even lockable with our optional accessory.



8 Manual override system

A power outage can't stop you enjoying your bikes! The standard supplied crank makes it possible to bring the platform down.