



Tow-Trust Towbars

Important: Please read General Notes overleaf before fitting
Issue: 1



Fitting
Instruction

TAUT6-CSK Autotrail F-Line F68, F70, F72, F74, Motorhome Addition Chassis Kit 2019>

Item	Qty	Description	Item	Qty	Description
B1	1	Left Hand Outer Side Arm	J	6	M10 x 35 (10.9) Bolts, 2 S/P Washers & 4 Nyloc Nuts
B2	1	Right Hand Outer Side Arm	K	4	M12 x 80 Bolts & Nyloc Nuts
C1	12	22 mm O/D 43 mm Long Spacer Tubes	M	4	M12 x 90 Bolts & Nyloc Nuts
E	2	Chassis Spacer Plates	M1	6	M12 x 90 Bolts & Nyloc Nuts
F1	1	Left Hand Outer Chassis Brace (Not F68)	N	34	12 x 25 Flat Washers
F2	1	Right Hand Outer Chassis Brace (Not F68)	P	8	10 x 25 Flat Washers
G	2	M10 Captive Nut Straps (Not F68)	Q	2	10 x 40 Flat Washers
X	N/A	OEM Chassis Angle Bracket			

Note: This Chassis Kit Must Only Be Used With TAUT6, TAUT6SN or TAUT6VK.

1. There are components and assemblies in these fitting instruction images which are supplied with the main towbar **TAUT6/TAUT6SN/TAUT6VK** and are not contained in this kit.
2. Always refer to both sets of fitting instructions for the fixing kit to be complete, there are items not listed above that are used from the main towbar fixing kit. Some may be used in different locations.
3. There are items referred to in these instructions for which the complete descriptions are contained in the **TAUT6/TAUT6SN/TAUT6VK** fitting instructions, as such always have both to hand for the complete installation.
4. Ensure that items **C1** are all fitted inside the Autotrail Chassis Extensions when used. They are coloured in **Cyan** in the images. If the chassis has the original pressed in spacer tubes fitted at these points they are not removed.

Note: All Models (See Top Image On Next Page).

1. Items **X** coloured in **RED**:- Will be removed and not reinstalled.
2. Items **X** coloured in **PURPLE**:- Will be temporarily removed then reinstalled on the outside of the new components.
3. Items **X** coloured in **GREEN**:- Although some fixings are removed during the pre-installation steps they are to remain in position.
4. Any fixings or components which are not reinstalled or used, should be returned to the owner of the vehicle once the installation is completed and retained should this complete kit be removed.

Note: Autotrail F-Line F68 Models.

1. Items **F1**, **F2** and items **G** are not required on this model.
2. Skip steps **1 – 6** of the instructions below and start at step **7**.

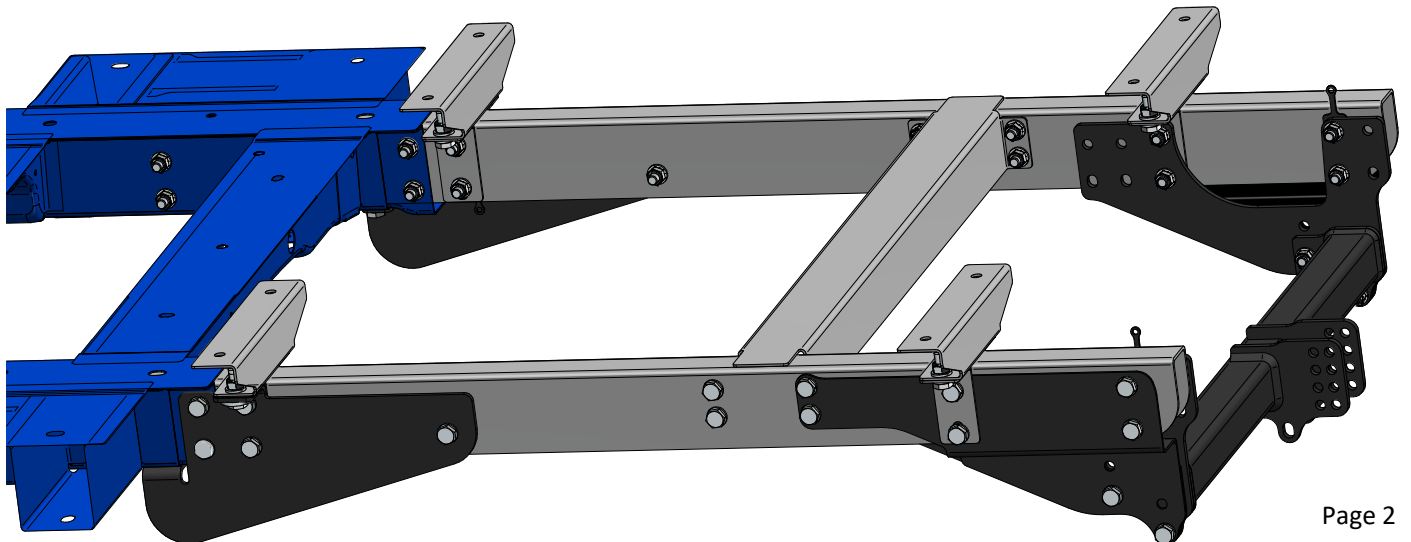
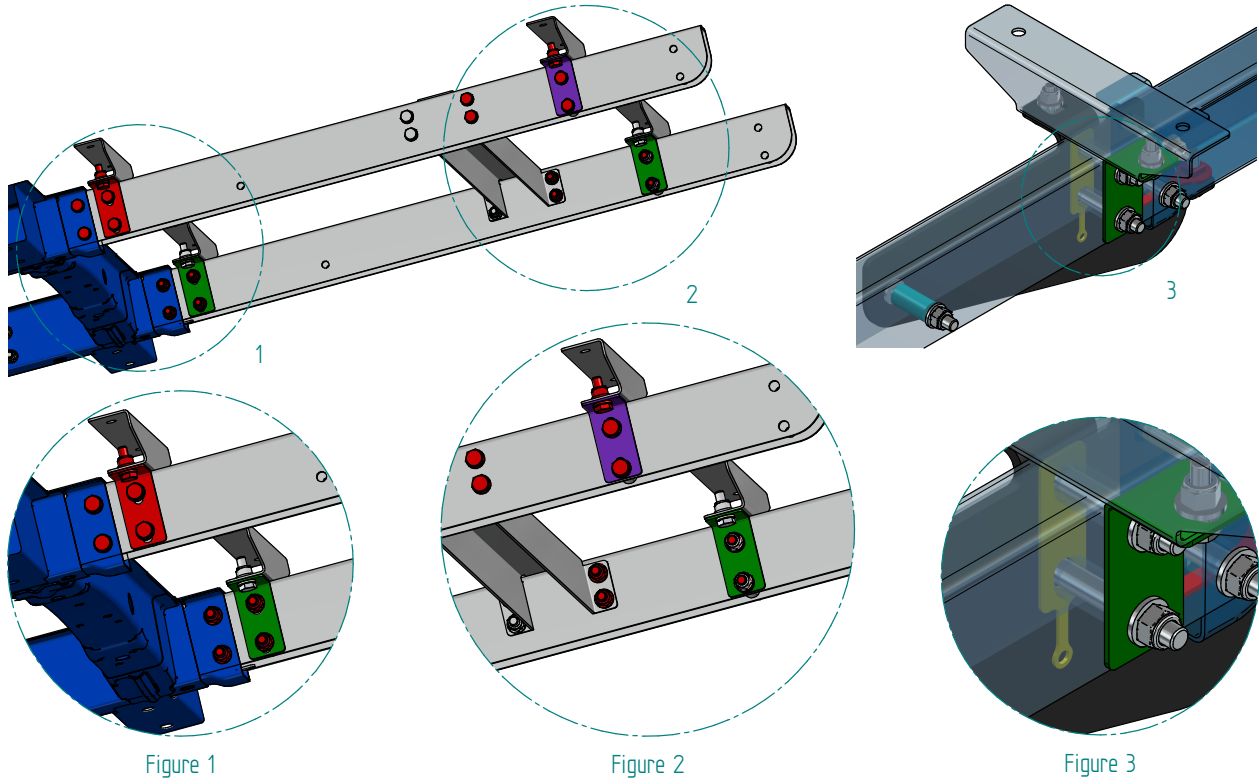
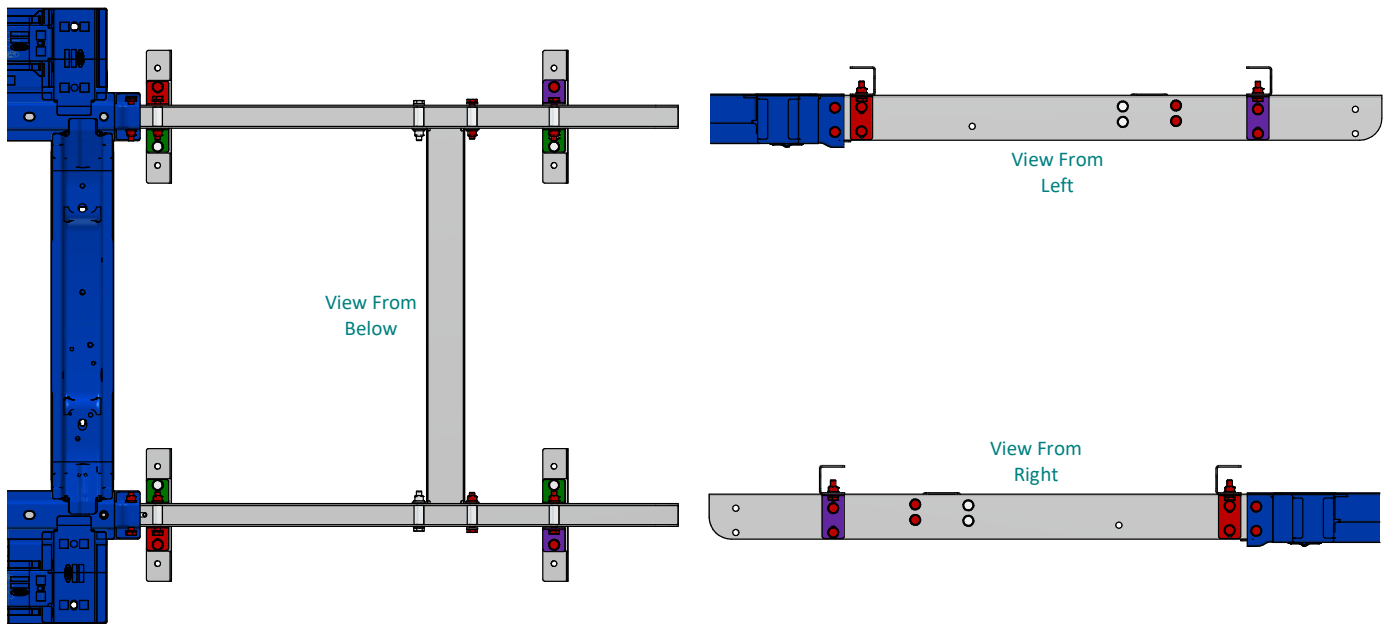
Chassis Kit Installation:

(Starting where the Autotrail extensions are connected to the ford chassis).

1. Remove all the original fixings and components from the positions shown in Figure 1 in **RED** from both sides.
2. Loosely fix items **F1** and **F2** to the outside face of the chassis using items **M1** with items **N** (one used as a spacer) and item **C1**.
3. Fix items **F1** and **F2** to the vertical mounting point using items **J** and items **P** with item **G** inserted through the chassis opening.
4. Using items **M** with items **N** insert the fixings in items **F1**, **F2** and **X** with items **E** positioned as shown in figure 3.
5. Using items **J** with Items **P** and items **Q** fix items **F1**, **F2** and **X** to the final vertical mounting point.
6. Fully tighten all the fixings installed so far ensuring the components are rigid, square and secure.
7. Remove all the original fixings and components from the positions shown in Figure 2 in **RED** from both sides.
Note: There are components here that have some fixings removed however will stay in situ, as well as others that will be temporarily removed then reinstalled.
8. Loosely fix items **B1** and **B2** using items **K** with items **N** and on **F68** models item **C1** inside the chassis rail.

Note: The Following Steps Also Contain Components And Fixings Listed in TAUT6/TAUT6SN/TAUT6VK Fitting Instructions But Are Not Supplied In This Kit.

9. Loosely fix items **B1** and **B2** using items **M1** with items **N** and item **X** under the washers and items **C1** on (**F68 Models**) with items **B** on top of item **X** shown in Figure 6.
10. Loosely fix **B**, **B1** and **B2** at the remaining mounting points using items **M** with items **N** and items **C1**, with item **E** as a spacer at the rearmost mounting points. (Figures 7 & 8).
11. Loosely fix item **A** to items **B**, **B1** and **B2** using items **L** with items **N**.
12. Fully tighten all the remaining fixings ensuring all the components are rigid, square and secure.
13. Follow the remaining steps on the **TAUT6/TAUT6SN/TAUT6VK** fitting instructions for fitting the chosen neck.



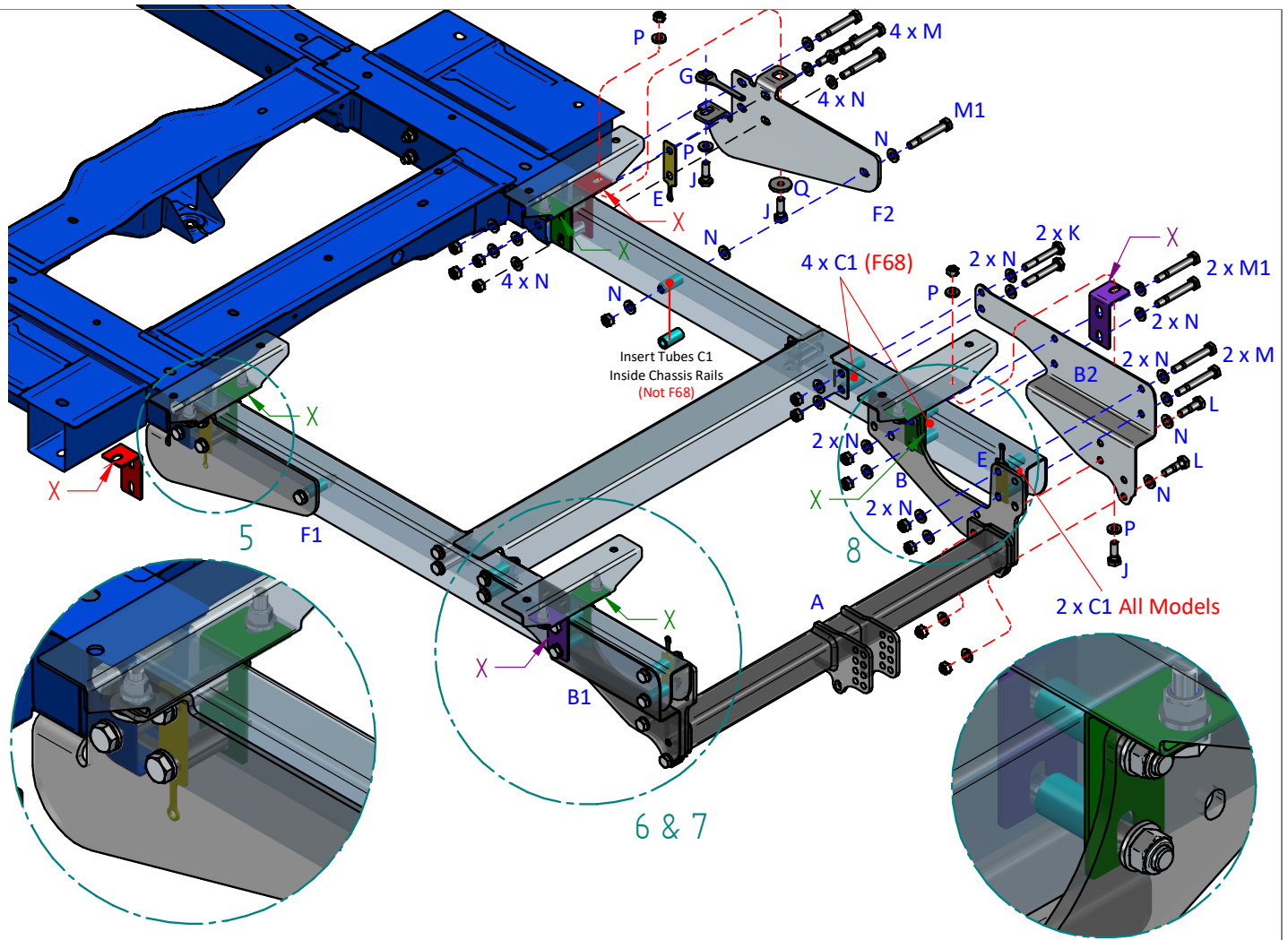


Figure 5

Figure 6

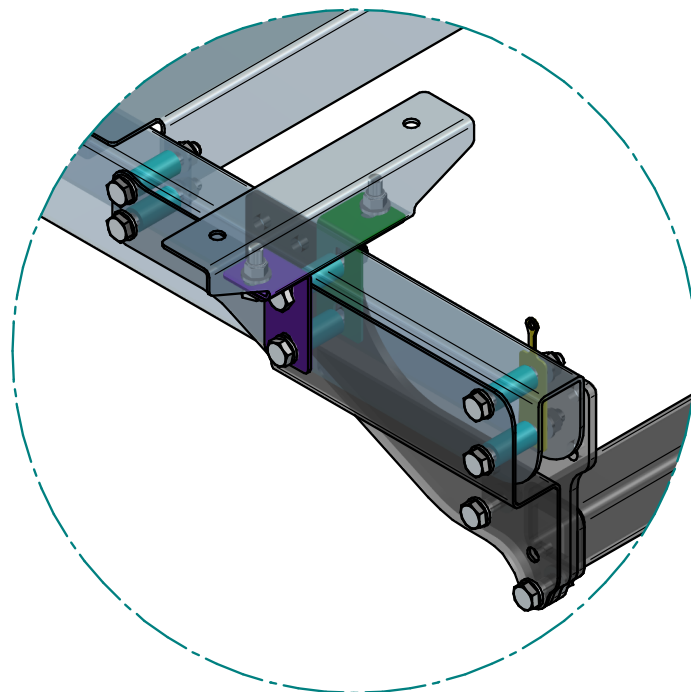


Figure 7

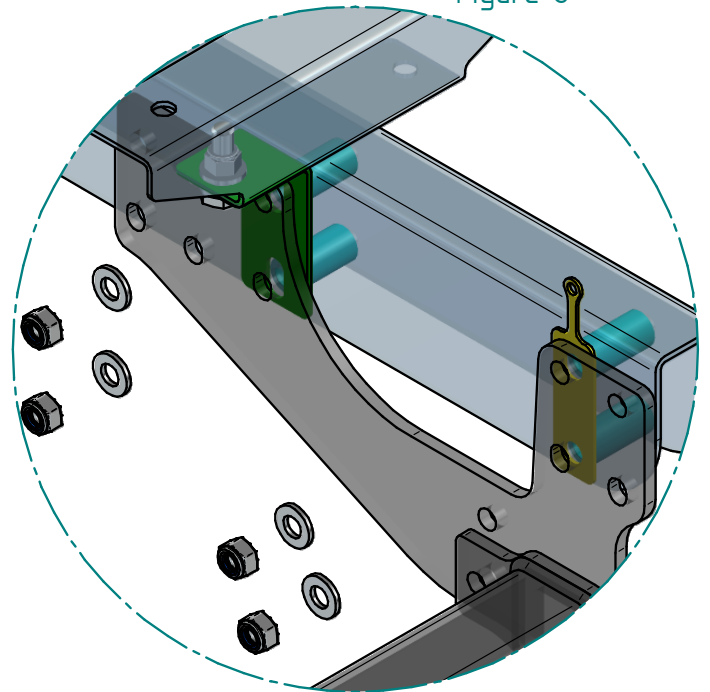


Figure 8

Notes:

1. For Torque settings see general notes overleaf.
2. Nose load limits and vehicle manufacturer's trailer / caravan weight limits must be observed.
3. We recommend the use of PRO-TOW Couplings with all our products.