



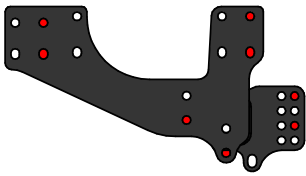
TAUT6 Autotrail F-Line Motorhomes 2019> & Ford Skeletal Chassis Based Vehicles 2014>

Item	Qty	Description	Item	Qty	Description
A	1	TAUT6 Crossbar	H	2	M16 x 50 Bolts & Nyloc Nuts
B	2	Side Arm	J	2	M12 x 40 Bolts & Nyloc Nuts
C	4	19 mm O/D 52 mm Long Spacer Tubes	K	1	M12 x 120 Bolt (10.9) & Nyloc Nut
D	4	19 mm O/D 60 mm Long Spacer Tubes	L	4	M12 x 45 Bolts & Nyloc Nuts
E	2	Chassis Spacer Plate	M	8	M12 x 90 Bolts & Nyloc Nuts
F	1	Extension	N	24	12 x 25 Flat Washers
S	1	ASP5	P	4	12 x 40 Flat Washers
T	1	ATT—T1	T1	1	30 mm O/D 60 mm Long Spacer Tube

TOWBAR INSTALLATION:

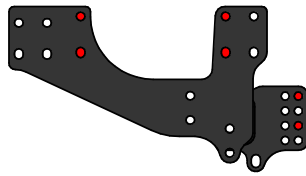
1. Remove the four fixings at the rearmost mounting points. (Autotrail Models F60/F62, these Models will not use item E).
2. Loosely attach items B to the inside face of each chassis, with items E as spacers at the rearmost mounting point on the skeletal chassis and fix in place using items M with items N and items P with items C and D inserted into the chassis. (Note: Items C are inserted through the ends of the chassis and items D through the side face). Using the locations shown in figures 1 to 4.
3. Using items L with items N loosely fix item A to items B.
4. Using items J with items N and item K with items N fix item F to item A ensuring item T1 is fitted at the lower point
5. Using item H fix item S and T to item F then fully tighten all fixings ensuring the Towbar is rigid, square and secure.

Figure 1



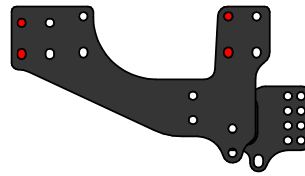
Autotrail F-Line Setting
F60 and F62

Figure 2



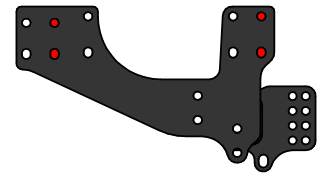
Setting For Use With
TAUT6-EXT Only

Figure 3



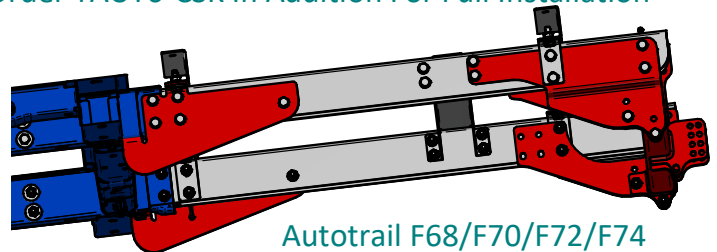
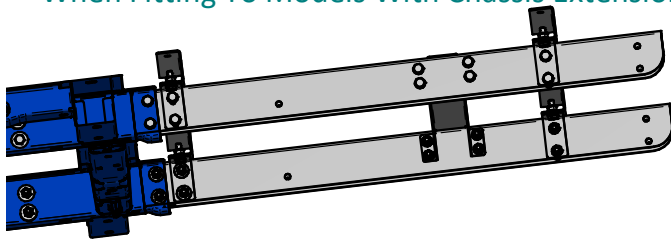
Skeletal Chassis
Setting One

Figure 4

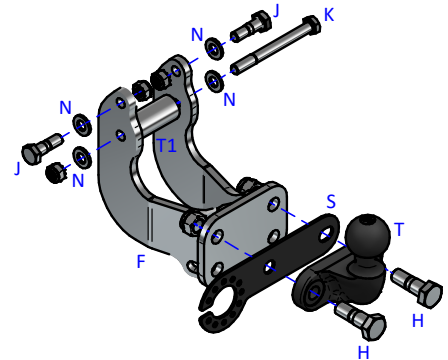
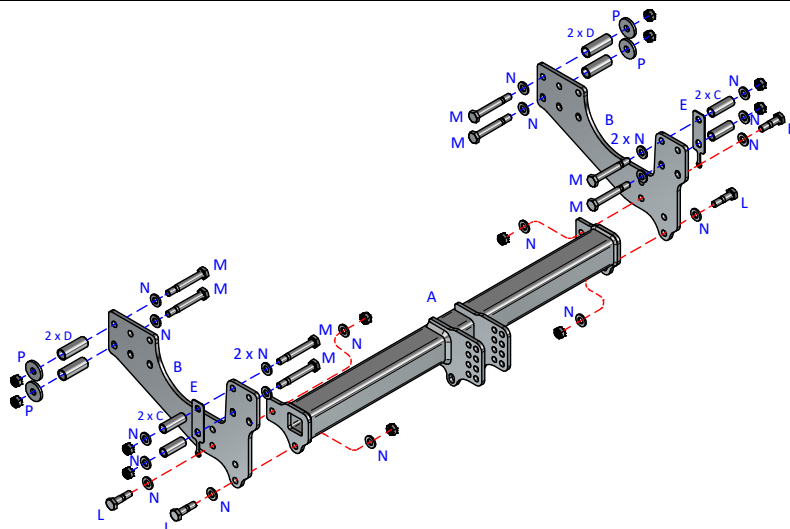


Skeletal Chassis
Setting Two

When Fitting To Models With Chassis Extensions, Order TAUT6-CSK In Addition For Full Installation



Autotrail F68/F70/F72/F74



Notes:

1. For Torque settings see general notes overleaf.
2. Nose load limits and vehicle manufacturer's trailer / caravan weight limits must be observed.
3. We recommend the use of PRO-TOW Couplings with all our products.